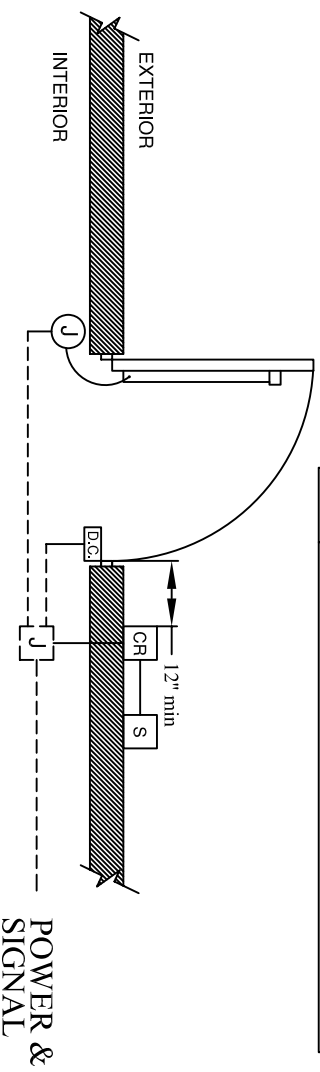
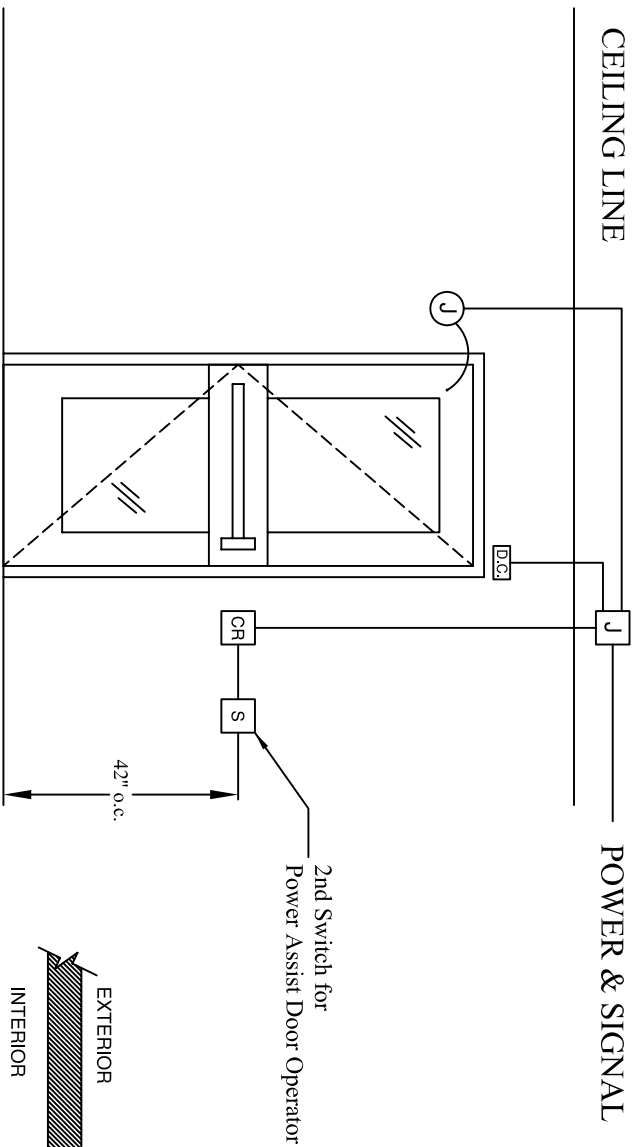


KEY

| |
|----------------|
| SINGLE |
| POWER ASSIST |
| PANIC HARDWARE |
| EXPOSED |



LEGEND

| | |
|---|---|
| Ⓝ | 4"SQ 1/2" BOX W/ SINGLE GANG MUD RING FOR DOOR CORD |
| Ⓜ | 4 1/16"SQ 1/2" BOX |
| Ⓜ | CARD READER W/ 4"SQ 1/2" BOX W/ 1 GANG MUD RING |
| — | 3/4" CONDUIT |
| Ⓜ | DOOR CONTACT |
| Ⓜ | 4"SQ 1/2" BOX |

ALL EXPOSED CONDUIT TO BE WIRE MOULD.

POWER ASSIST DOOR OPERATOR (ALUM, STEEL) - PANIC HARDWARE - EXPOSED POWER & SIGNAL

TYPICAL

S-P-A-PH-EX

SHEET TITLE:

SINGLE POWER ASSIST DOOR OPERATOR

FILE NAME:

Single-Power Assist.dwg

SHEET NO:

17

PROJECT TITLE:

DOOR DETAILS, ACCESS CONTROL SYSTEM, SDSU

DRAWN BY:

C Phillips

ISSUED:

07.26.07