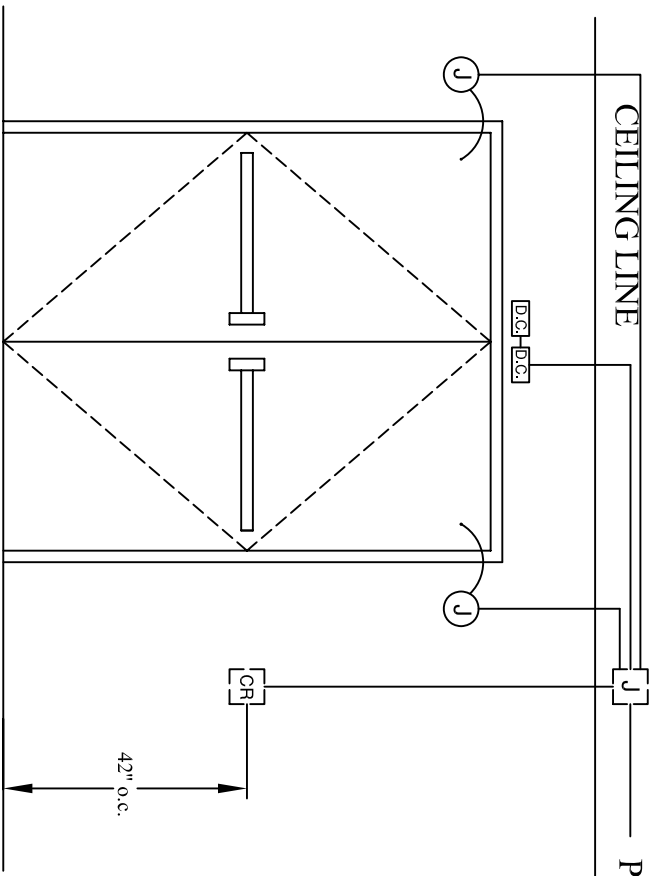


PAIR
METAL
PANIC HARDWARE
EXPOSED

KEY

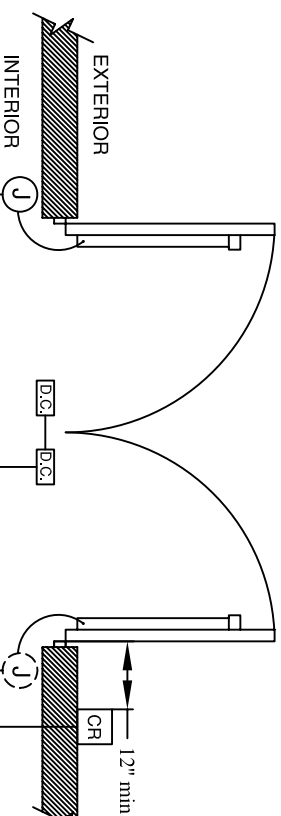
CEILING LINE

POWER & SIGNAL



LEGEND

①	4"SQ 1" BOX W/ SINGLE GANG MUD RING FOR DOOR CORD
J	4 11/16"SQ 1" BOX
CR	CARD READER W/ 4"SQ 1" BOX W/ 1 GANG MUD RING
—	3/4" CONDUIT
DCS	DOOR CONTACT



POWER & SIGNAL

PAIR OF METAL DOORS - PANIC HARDWARE - EXPOSED POWER & SIGNAL

TYPICAL

P-M-PH-EX

SHEET TITLE:

PAIR OF METAL DOORS- EXPOSED

FILE NAME:

Pair-Panic-Exposed

SHEET NO:

12

PROJECT TITLE:

DOOR DETAILS, ACCESS CONTROL SYSTEM, SDSU

DRAWN BY:

C Phillips

ISSUED:

07.26.07